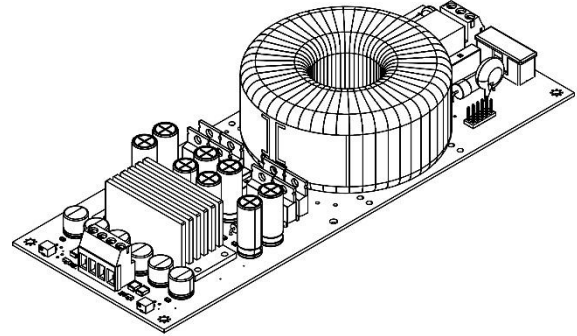


OSA ELECTRONICS 25/50VA ULTRA LOW NOISE MEDICAL GRADE POWER SUPPLIES

Features

- Ultra-low Noise Output Ripple and High PSRR
- Ultra- low Noise and ultra-low leakage
Isolated Toroidal Transformer
- Dual +/- Outputs (Series or Parallel)
- Ultra-low dropout voltage
- Inrush current limiting
- RC and LC Input and Output Filtering
- Custom Voltage and fine adjust by request



Specifications		ULPS3025MD	ULPS3050MD
Model		ULPS3025MD	ULPS3050MD
AC Input	V _{AC}	100V, 120V, 220V, 240V (onboard jumper selectable)	
Input Frequency	Hz	50-60Hz	
Output Type	-	Dual Output	
Output Adjustment	%	±10%	
Output Indicator	-	White LED = ON	
Line Regulation	%	≤0.03%	
Load Regulation	%	≤0.01%	
Leakage Current	uA	Earth ≤10μA, Patient ≤25μA	
RMS Noise (10Hz to 10kHz)	V _{RMS}	≤ 0.0000004 V _{RMS} (0.4 μV _{RMS})	≤ 0.0000002 V _{RMS} (0.2 μV _{RMS})
PP Noise (10Hz to 100kHz)	V _{pp}	≤ 0.000005 V _{pp} (0.005 mV _{pp})	≤ 0.000004 V _{pp} (0.0025 mV _{pp})
PSRR at 1MHz	dB	80dB	82dB
Overcurrent Protection	%	105 to 110%	105 to 110%
Overvoltage Protection	V _{DC}	10%	
Cooling	-	Convection	
Operating Temp. Range	°C	-20°C: 60%, 0 to 50°C: 100%, 60°C: 70%, 80°C: 40%	
Storage Temperature	°C	-40 to +85°C	
Temperature coefficient	%	±0.01% per °C	
Humidity (non condensing)	%RH	Operating: 20 - 95% RH	
Vibration	-	10-55Hz Amplitude (sweep for 1 min), <2G X, Y, Z 1 hour each	
Shock	-	<20G	
Withstand Voltage	-	Input to Output: 4kVAC, Input to Chassis: 2.5kVAC for 1 minute	
Isolation Resistance	-	>100M at 500VDC @ 25C & 70%RH for 1 minute	
Weight	g	1250g	1650g
Size WxHxD	mm	230 x 85 x 40 mm	*250 x 100 x 40 mm
Warranty	yrs	Two years	

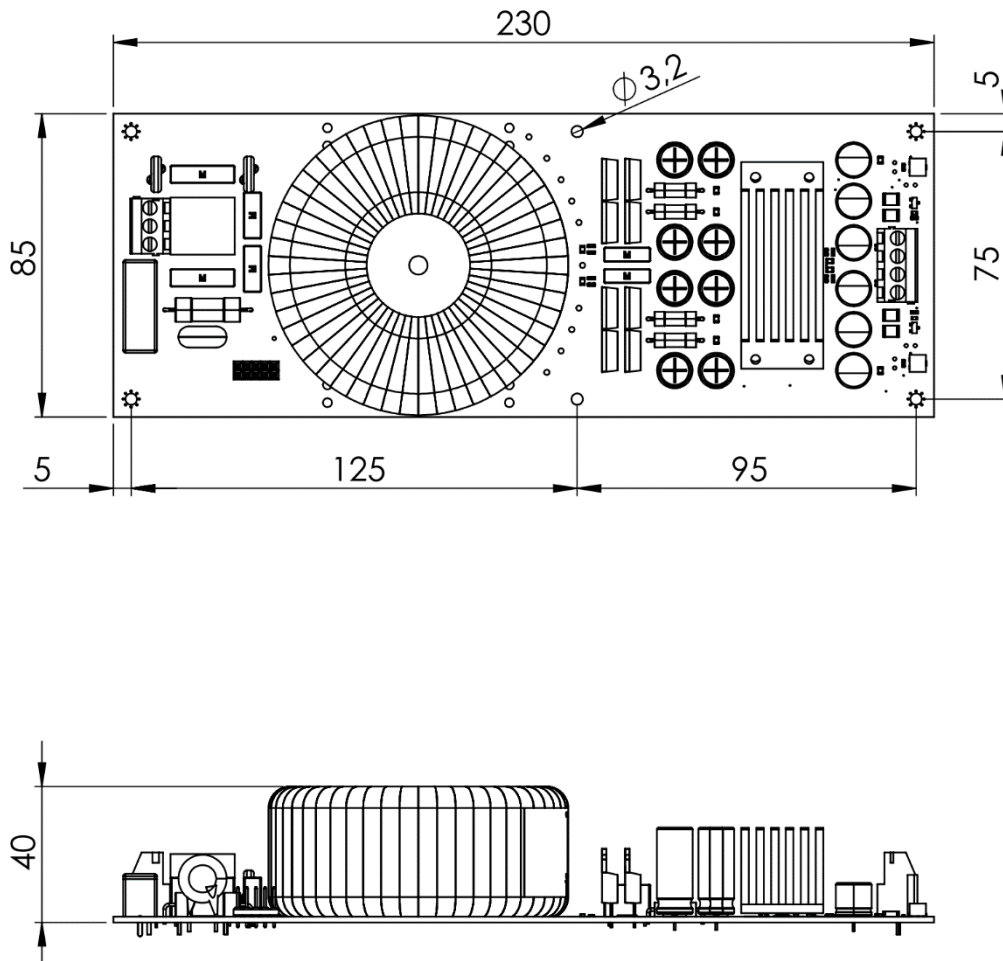


Models

Specifications			
Model		ULPS3025MD	ULPS3050MD
1.8V	A	~2.5 A x 2	~4.5 A x 2
3.3V	A	~2.0 A x 2	~4.0 A x 2
5.0V	A	~1.6 A x 2	~3.0 A x 2
9.0V	A	~1.2 A x 2	~2.5 A x 2
12V	A	~1.0 A x 2	~2.0 A x 2
15V	A	~0.8 A x 2	~1.5 A x 2

Drawing

- ULPS3025MD



*All dimensions in mm

- ULPS3050MD

*TBD

*All dimensions in mm