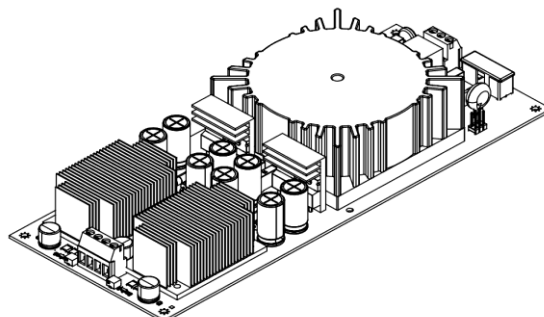

OSA ELECTRONICS 50VA ULTRA LOW NOISE POWER SUPPLIES

Features

- Ultra-Low Noise Output Ripple and High PSRR
- Low Noise low-leakage Toroidal Transformer
- Dual +/- Outputs (Series or Parallel)
- Ultra-low dropout voltage
- Inrush current limiting
- RC and LC Input and Output Filtering



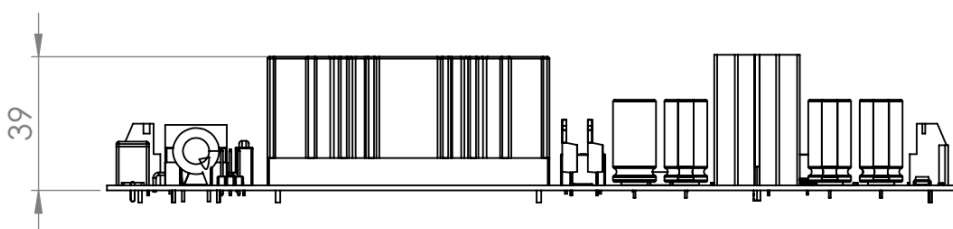
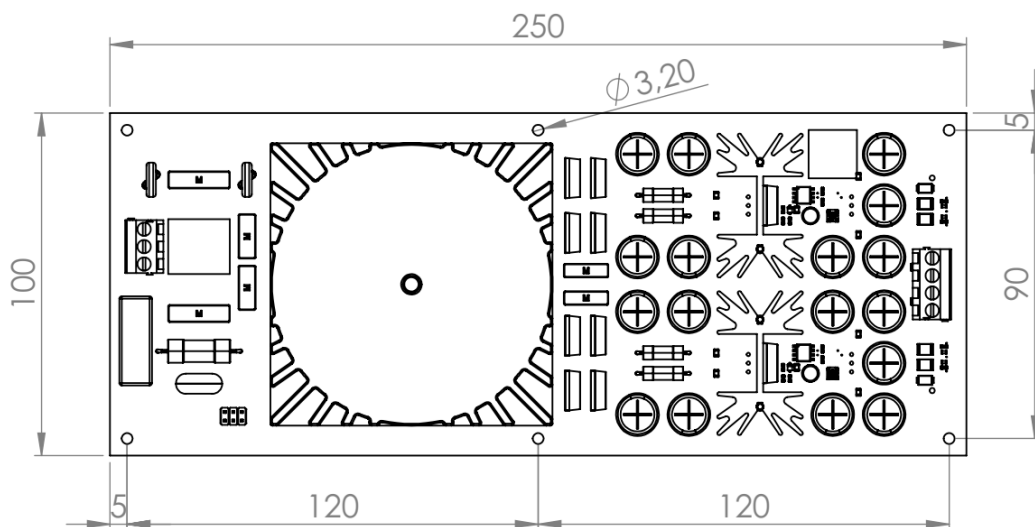
Specifications		ULPS2250A	ULPS2250B
Model		ULPS2250A	ULPS2250B
AC Input	V _{AC}	110-120V, 220-240V (onboard jumper selectable)	
Input Frequency	Hz	50-60Hz	
Output Type	-	Dual Output	
Output Adjustment	-	±10%	
Output Indicator	-	White LED = ON	
Line Regulation	%	≤0.03%	
Load Regulation	%	≤0.05%	≤0.01%
RMS Noise (10Hz to 10kHz)	V _{RMS}	≤ 0.00015 V _{RMS} (0.15 mV _{RMS})	≤ 0.0000004 V _{RMS} (0.4 μV _{RMS})
PP Noise (10Hz to 100kHz)	V _{pp}	≤ 0.0005 V _{pp} (0.5 mV _{pp})	≤ 0.000005 V _{pp} (0.005 mV _{pp})
PSRR at 1MHz	dB	75dB	78dB
Overcurrent Protection	%	105 to 120%	105 to 110%
Overvoltage Protection	V _{DC}	10%	
Cooling	-	Convection	
Operating Temp. Range	°C	-20°C: 60%, 0 to 50°C: 100%, 60°C: 70%, 80°C: 40%	
Storage Temperature	°C	-40 to +85°C	
Temperature coefficient	%	±0.01% per °C	
Humidity (non condensing)	%RH	Operating: 20 - 95% RH	
Vibration	-	10-55Hz Amplitude (sweep for 1 min), <2G X, Y, Z 1 hour each	
Shock	-	<20G	
Withstand Voltage	-	Input to Output: 3.75kVAC, Input to Chassis: 2.5kVAC for 1 minute	
Isolation Resistance	-	>100M at 500VDC @ 25C & 70%RH for 1 minute	
Weight	g	1100g	1250g
Size WxHxD	mm	250 x 100 x 40 mm	
Warranty	yrs	Two years	

Models

Specifications			
Model		ULPS2250A	ULPS2250B
1.8V	A	~3.5 A x 2	~3.5 A x 2
3.3V	A	~3.5 A x 2	~3.5 A x 2
5.0V	A	~3.0 A x 2	~3.5 A x 2
9.0V	A	~2.5 A x 2	~2.5 A x 2
12V	A	~2.0 A x 2	~2.0 A x 2
15V	A	~1.5 A x 2	~1.5 A x 2
18V	A	~1.0 A x 2	-
24V	A	~1.0 A x 2	-

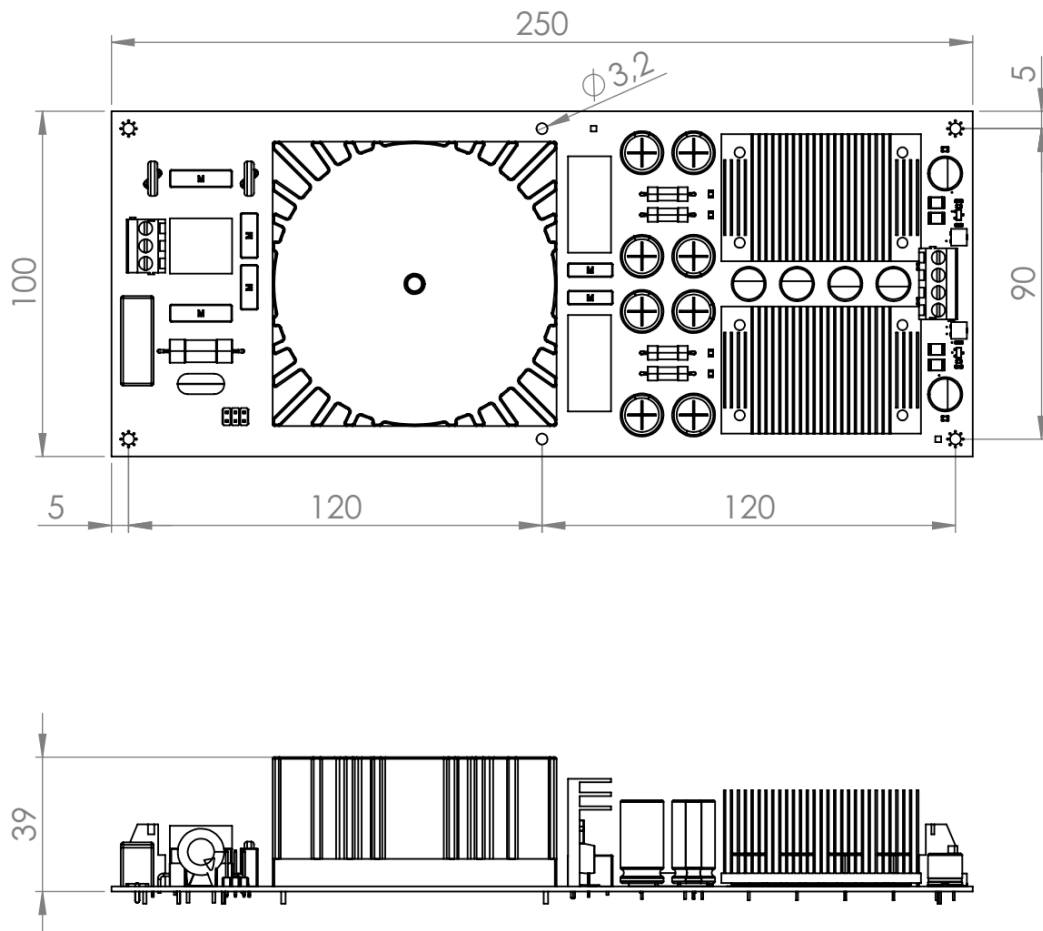
Drawing

- ULPS2250A



*All dimensions in mm

- ULPS2250B



*All dimensions in mm