

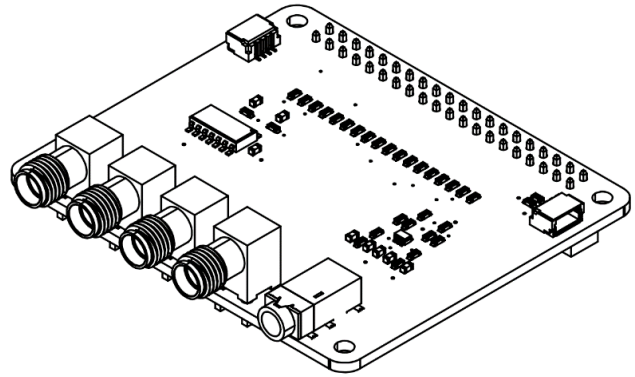
---

## OSA ELECTRONICS RGBERRY SCART FOR RASPBERRY PI

---

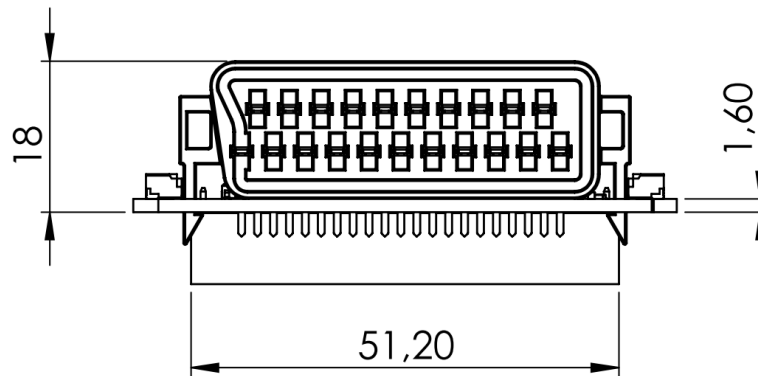
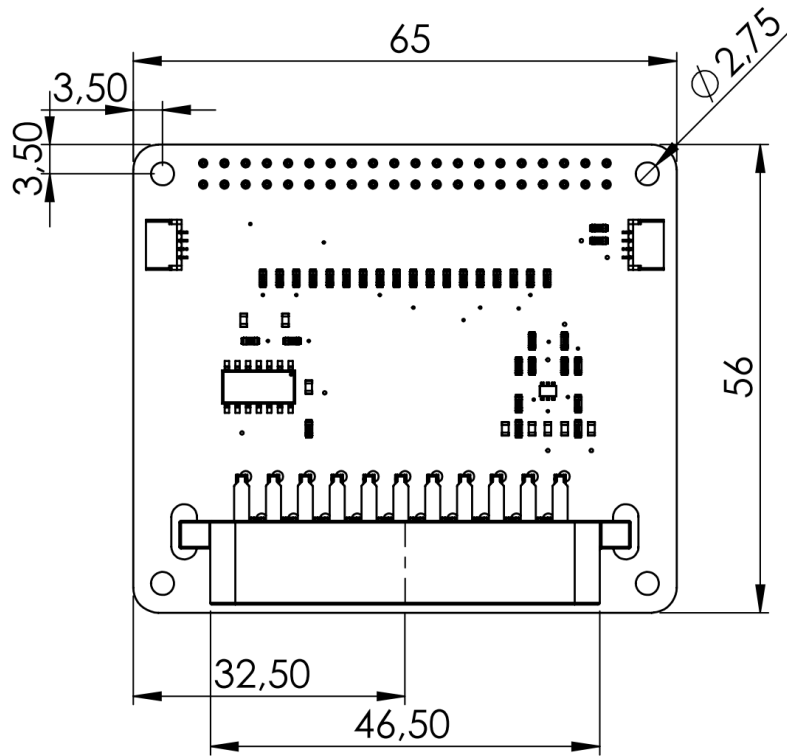
### Features

- Analog R, G, B, CSync Video + Stereo Audio output board
- All the video and audio signals are integrated in 4x SMA and 1x 3.5mm jack connectors
- Active PWM Audio conversion onboard
- Video Signals Buffered
- Onboard I2C connector for peripherals
- Compatible with Raspberry Pi and others with the same GPIO



Specifications		
Model		RGBA2140N
DC Input Voltage	V <sub>DC</sub>	5V
Connectivity	-	2 x JST SR for I <sup>2</sup> C , 40 Pin GPIO Raspberry Pi Compatible
Output Connector	-	4x SMA Female, 1x 3.5mm Audio Jack
Weight	g	60g
Size WxHxD	mm	65 x 56 x 30 mm
Warranty	yrs	Two years

Drawing



\*All dimensions in mm