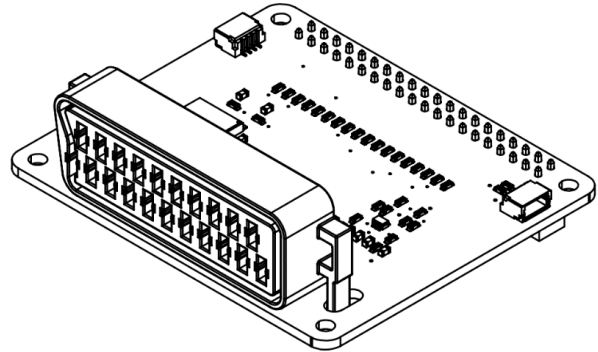

OSA ELECTRONICS RGBERRY SCART FOR RASPBERRY PI

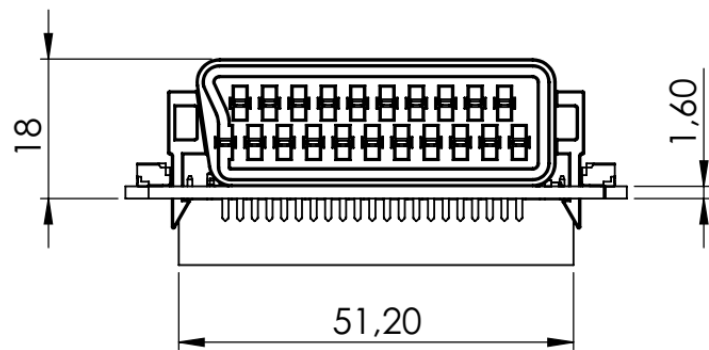
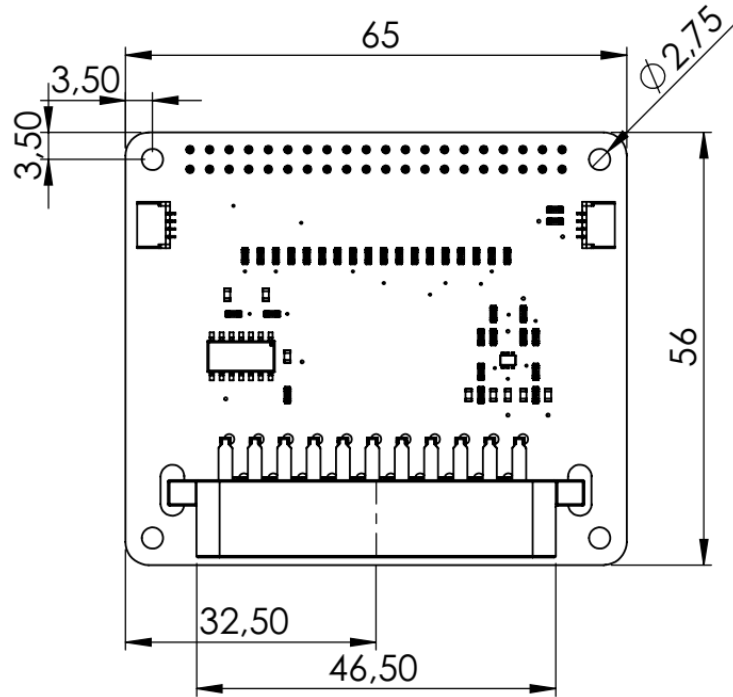
Features

- Analog R, G, B, CSync Video + Stereo Audio output board
- All the video and audio signals are integrated in a Female SCART Connector
- Active PWM Audio conversion onboard
- Video Signals Buffered
- Onboard I2C connector for peripherals
- Compatible with Raspberry Pi and others with the same GPIO



Specifications		
Model		RGBS2140N
DC Input Voltage	V _{DC}	5V
Connectivity	-	2 x JST SR for I ² C , 40 Pin GPIO Raspberry Pi Compatible
Output Connector	-	Female European Style SCART Connector
Weight	g	60g
Size WxHxD	mm	65 x 56 x 30 mm
Warranty	yrs	Two years

Drawing



*All dimensions in mm